

Operations & Maintenance Information



Applications:

Compact screen filters with automatic back flushing

Standard Characteristics:

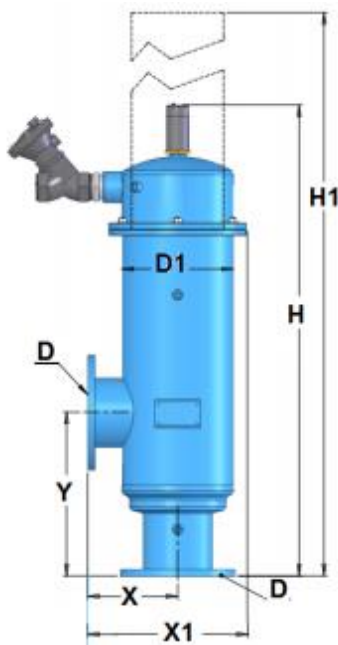
- **Filter element:** - Stainless Steel screen 316, supported by a PVC cylinder.
- **Available filtration:** from 80 micron up to 1500 micron
- **Filter housing material of construction:** Carbon Steel ST37.2
- **Pre-treatment:** sand blasting up to Sa 2.5 grade
- **External & Internal coating:** electrostatic oven baked polyester-epoxy powder coating with a thickness of 150-200 micron
- **Connections:** VIC, Threaded socket and Flange
- **Maximum recommended working pressure:** up to 10 bar (145 psi).
- **Minimum operating working pressure during flushing:** 2 bar (29 psi)
- Equipped with an electronic control system (6V DC, 12 V DC, 24V AC)

Operation:

Cleaning of the screen is performed automatically once the pressure loss (ΔP) across the filter has reached the preset value up to 0.5 bar (7psi). The flushing valve opens, pressure is released from the hydraulic piston, and debris laden water is discharged through the flushing valve. Pressure in the hydraulic motor chamber and the dirt collector is significantly lowered causing the dirt collector nozzles move along and rotate cleanings the whole internal screen surface. The flushing cycle takes 5 seconds. The flushing valve closes at the end of the cycle, pressure reapplied to the piston, moving the nozzles back to their rest position, and the filter is cleaned. During the whole process water supply is uninterrupted.

Dimensions & Weight

Model	D		D1 (in)	X		X1		Y		H		H1	
	In/Out (mm)	(in)		(mm)	(in)	(mm)	(in)	(mm)	(in)	(mm)	(in)	(mm)	(in)
AF202	50	2	10	220	8.7	465	18.3	197	7.8	507	19.9	475	18.7
AF202X	50	2	10	220	8.7	465	18.3	197	8.7	623	24.5	590	23.2
AF203	75	3	10	220	8.7	465	18.3	197	8.7	507	19.9	475	18.7
AF203X	75	3	10	220	8.7	465	18.3	210	8.3	641	25.2	590	23.2
AF204	100	4	10	220	8.7	465	18.3	210	8.3	641	25.2	610	24.0
AF204X	100	4	10	220	8.7	585	23.0	315	12.4	920	36.2	1145	45.1
AF206	150	6	10	220	8.7	585	23.0	400	15.8	1150	45.3	1575	62.0
AF208	200	8	16	303	11.9	642	25.3	450	17.7	1219	48.0	1700	66.9



Model	D		D1 (in)	Shipping Weight		Packing Volume	
	In/Out (mm)	(in)		(kg)	(lb)	L*W*H (m)	(ft)
AF202	50	2	10	43	95	0.8x0.6x0.6	2.5x1.9x1.9
AF202X	50	2	10	47	103	0.9x0.6x0.6	2.9x1.9x1.9
AF203	75	3	10	45	95	0.8x0.6x0.6	2.5x1.9x1.9
AF203X	75	3	10	48	105	0.9x0.6x0.6	2.9x1.9x1.9
AF204	100	4	10	50	110	0.9x0.6x0.6	2.9x1.9x1.9
AF204X	100	4	10	70	154	1.2x0.7x0.7	4.0x2.2x2.2
AF206	150	6	10	90	198	1.4x0.68x0.7	4.3x2.2x2.2
AF208	200	8	16	150	331	1.4x0.87x0.8	4.7x2.9x2.7

Flow Rate

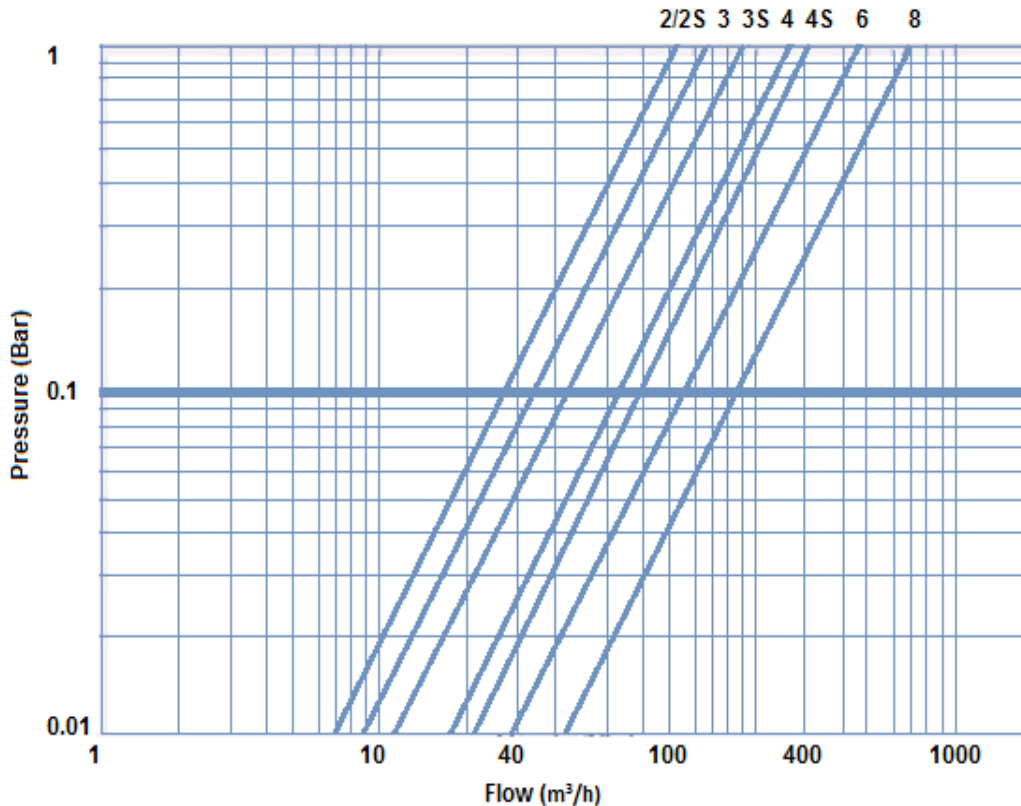
Model	In/Out Diam		Max. flow rate		Screen Area		Flushing Flow rate	
	(mm)	(inch)	(m ³ /h)	(GPM)	(cm ²)	(inch ²)	(m ³ /h)	(GPM)
AF202	50	2	30	132	1100	253	6	26
AF202X	50	2	30	132	1630	170	6	26
AF203	75	3	40	176	1100	253	6	26
AF203X	75	3	50	220	1630	170	6	26
AF204	100	4	80	352	1630	170	6	26
AF204X	100	4	90	396	2770	430	12	52
AF206	150	6	130	572	4120	640	12	52
AF208	200	8	200	880	5240	812	12	52

* Max. flow rate is for high quality water at filtration grade of 120 micron

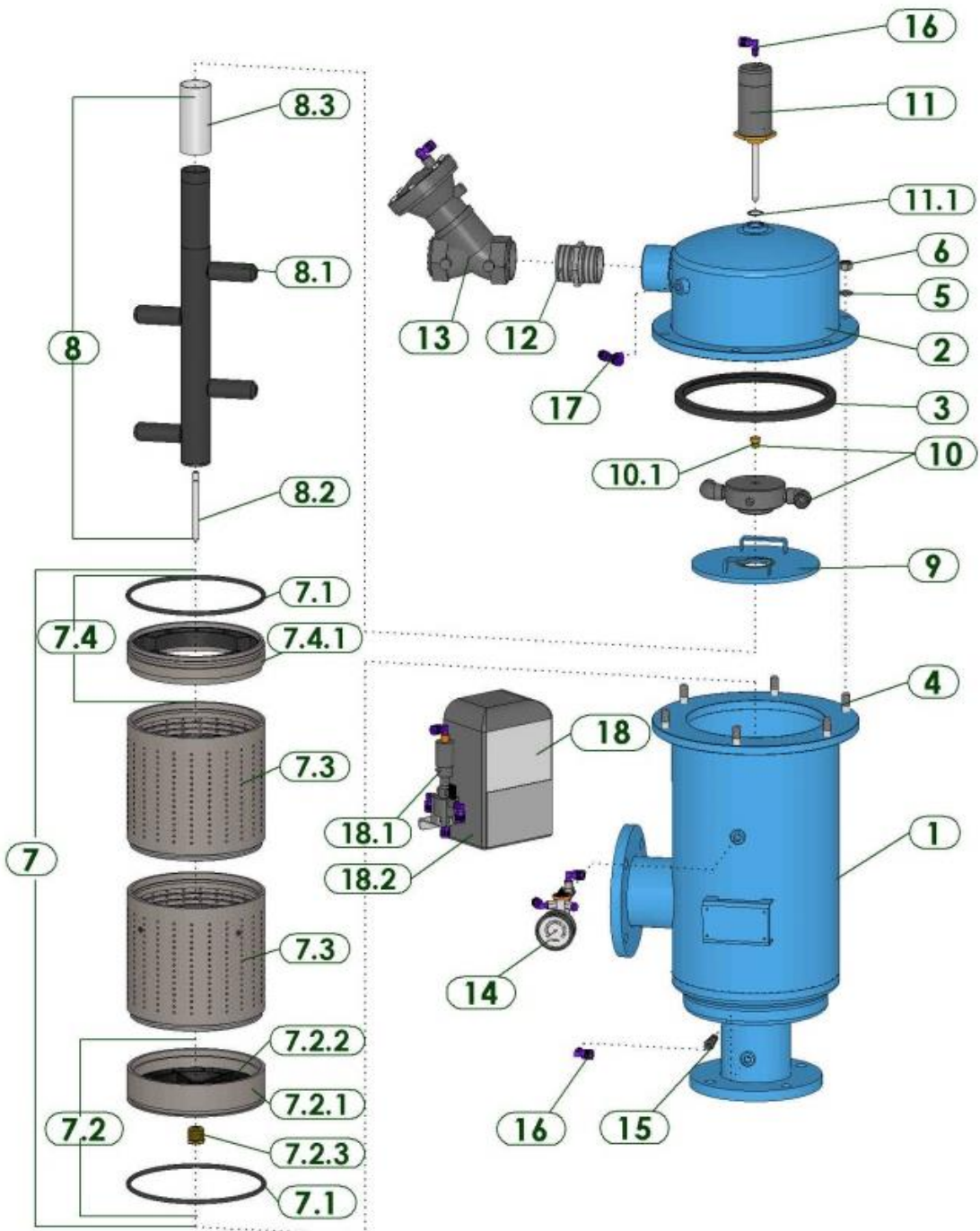
** Flushing flow rate is for minimum operation pressure (2 bar/30 psi)

S – Filter with large filtration area

Pressure Loss at 120 micron



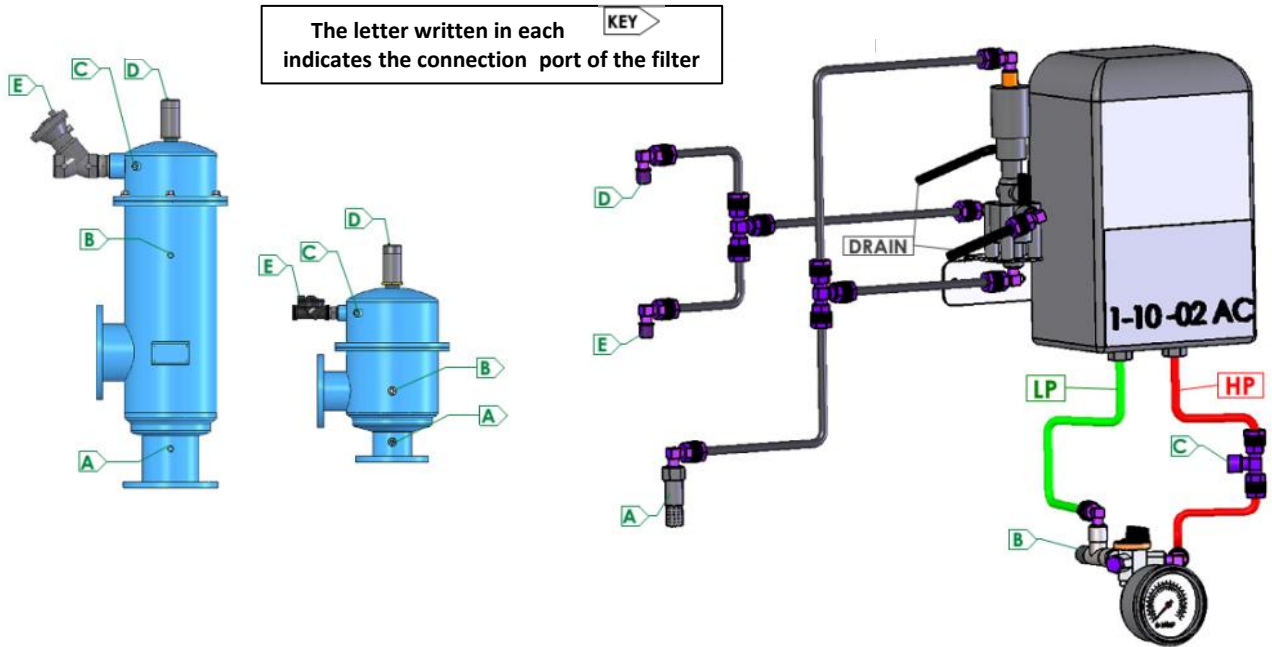
Parts & Description



IPB	Model	Catalog No	Description
1	AF200	N/A	FILTER BODY
2	AF200	N/A	FILTER COVER
3	AF202-206	5311250100	U-RING FOR COVER 10"-14"
	AF208F	5311400100	U-RING FOR COVER 16"
4	AF200	5292143001-043	STUD 1/2"NC*43 SS304
5	AF200	4121123001	WASHER M12 SS304
6	AF200	4112140401	NUT 1/2"NC HOT GALVANIZED
7	AF202/3	E7005601000-01##	COMP FINE SCREEN PVC225 AF202/3
	AF202X/3X/4	E7005601001-01##	COMP FINE SCREEN PVC225 AF202X/3X/4
	AF204X	E7005602001-01##	COMP FINE SCREEN PVC225 AF204X
	AF206	E7005603000-01##	COMP FINE SCREEN PVC225 AF206
	AF208	E7006603000-01##	COMP FINE SCREEN PVC280 AF208
7.1	AF202-206	4081202100-445	O-RING 445
	AF208	4081266100-450	O-RING 450
7.2	AF204X/6	E5005600900-01	UPPER SCREEN ADAPTER PVC225 ASSM AF204X/6
	AF208	E5006600900-01	UPPER SCREEN ADAPTER PVC280 ASSM AF208
7.2.1	AF204X/6	5005600900	UPPER SCREEN ADAPTER PVC225 AF204X/6
	AF208	5006600900	UPPER SCREEN ADAPTER PVC280 AF208
7.2.2	AF202-206	5021640500	SCREEN WHEEL 225 NYLON
	AF208	5021010600-P	SCREEN WHEEL 280 STEEL
7.2.3	AF200	5172391000	SCREEN BEARING F/DIRT COLLECTOR SHAFT AF200
7.3	AF202/3	W5005600400-01##	FINE SCREEN PVC225 AF202/3
	AF202X/3X/4	W5005600401-01##	FINE SCREEN PVC225 AF202X/3X/4
	AF204X/6	W5005600300-01##	FINE SCREEN MIDDLE SECTION PVC225
	AF208	W5006600300-01##	FINE SCREEN MIDDLE SECTION PVC280
7.4	AF204X/6	E5005601001-02	LOWER SCREEN ADAPTER PVC225 ASSM AF204X/6
	AF208	E5006601000-02	LOWER SCREEN ADAPTER PVC280 ASSM AF208
7.4.1	AF204X/6	E5005601001-01	LOWER SCREEN ADAPTER PVC225 AF204X/6
	AF208	E5006601000-01	LOWER SCREEN ADAPTER PVC280 AF208
8	AF202/3	E7101610200-01	COMP DIRT COLLECTOR 1" PVC 2 NOZZLE AF202/3
	AF202X/3X/4	E7101610201-01	COMP DIRT COLLECTOR 1" PVC 2 NOZZLE AF202X/3X/4
	AF204X	E7102610400-01	COMP DIRT COLLECTOR 1 1/2" PVC 4 NOZZLE AF204X
	AF206	E7102610600-01	COMP DIRT COLLECTOR 1 1/2" PVC 6 NOZZLE AF206
	AF208	E7102610601-01	COMP DIRT COLLECTOR 1 1/2" PVC 6 NOZZLE AF208
8.1	AF202-204	5121610101	SUCTION NOZZLE AF202/202X/3X/4
	AF204X/6	5121610201	SUCTION NOZZLE AF204X/206
	AF208	5121610202	SUCTION NOZZLE AF208
8.2	AF202/3	5131300900	DIRT COLLECTOR SHAFT SS304 9.5mm AF202/3
	AF202X-206	5131300901	DIRT COLLECTOR SHAFT SS304 9.5mm AF202X/3X/4/4X/6
	AF208F	5131300902	DIRT COLLECTOR SHAFT SS304 9.5mm AF208

IPB	Model	Catalog No	Description
8.3	AF202/3	5171303301	DIRT COLLECTOR SLEEVE 1" SS304 AF202/3
	AF202X/3X/4	5171303302	DIRT COLLECTOR SLEEVE 1" SS304 AF202X/3X/4
	AF204X/6	5171305000	DIRT COLLECTOR SLEEVE 50 SS304 AF204X/6
	AF208	E5171305001	DIRT COLLECTOR SLEEVE 50 ASSM SS304 AF208
9	AF202-204	E5023010500-01	FLUSHING CHAMBER PLATE AF202/3/4
	AF204X/6	E5023010501-01	FLUSHING CHAMBER PLATE AF204X/6
	AF208	E5023010600-01	FLUSHING CHAMBER PLATE AF208
10	AF202-204	E5141630200-01	COMP HYDRAULIC MOTOR DELRIN AF202-204
	AF204X	E5142610202-01	COMP HYDRAULIC MOTOR PVC AF204X
	AF206/8	E5142610203-01	COMP HYDRAULIC MOTOR PVC AF206/8
10.1	AF200	5173360001	HYDRAULIC MOTOR BEARING BRONZE AF200
11	AF202/203	E7160306300	HYD PISTON 30 DELRIN AF202/3
	AF202X/203X/4	E7160306302	HYD PISTON 30 DELRIN AF202X/3X/4
	AF204X/6	E7160306303	HYD PISTON 30 DELRIN AF204X/6
	AF208	E7160306307	HYD PISTON 30 DELRIN AF208
11.1	AF200	4081020110	O-RING 20*3
12	AF202-204	4220106500	DOUBLE NIPPLE 1"BSP PLASTIC
	AF204X-8	4220200300	DOUBLE NIPPLE 2"BSP GALVANIZED
13	AF202-204	4510010004-1M	HYDRAULIC VALVE BERMAD 205 1"BSP
	AF204X-8	4510020003-06-1M	HYDRAULIC VALVE DOROT GALIL 09 2"BSP NO
14	AF200	CS11010019	PRESSURE GAUGE SET AF200/200E
15	AF200	4470010000	FINGER FILTER 1/4"*1/8" PLASTIC
16	AF200	4640618082	MALE ELBOW 1/8"*8 PLASTIC
17	AF200	4640214082	TEE 8*1/4"*8 PLASTIC
18	AF200-DC	CSD1100112100	CONTROLLER 1-10 DC + 1 SOLENOID COMPLETE
	AF200-AC	CSA1100114100	CONTROLLER 1-10 AC + 1 SOLENOID COMPLETE
18.1	AF200-DC	4430010902	SOLENOID DCL GALSOL 2W
	AF200-AC	4430030901	SOLENOID AC GALSOL 24V
18.2	AF200-DC	4440211002	CONTROLLER 1-10 DC 2 PORTS + DP
	AF200-AC	4440311002	CONTROLLER 1-10 AC 2 PORTS + DP
18.2.1	AF200-DC	4450110200	EXPENSION CARD FOR 1-10 DC CONTROLLER
	AF200-AC	4450110300	EXPENSION CARD FOR 1-10 AC CONTROLLER

AF200-AC Control System Setup



AF200-DC Control System Setup

